

Friction hinge



6-C8632-12-P-8



6-C8632-16-P-8



Hinges in easy clean position

Defender egress friction hinges 12" and 16"

Description	Color	PU	Part Number
Defender hinge 12"	Stainless Steel	25	6-C8632-12-P-8
Defender hinge 16"	Stainless Steel	25	6-C8632-16-P-8

* = Color PU = Packaging Unit

Additional information

- Allows casement windows to open to a full 90° for emergency exit
- Release mechanism allows cleaning access from the inside of the building
- Automatically resets to the fire escape mode when the window is closed
- All metal components made from high grade 304 Stainless Steel



Thermoplastic end cap



Release mechanism

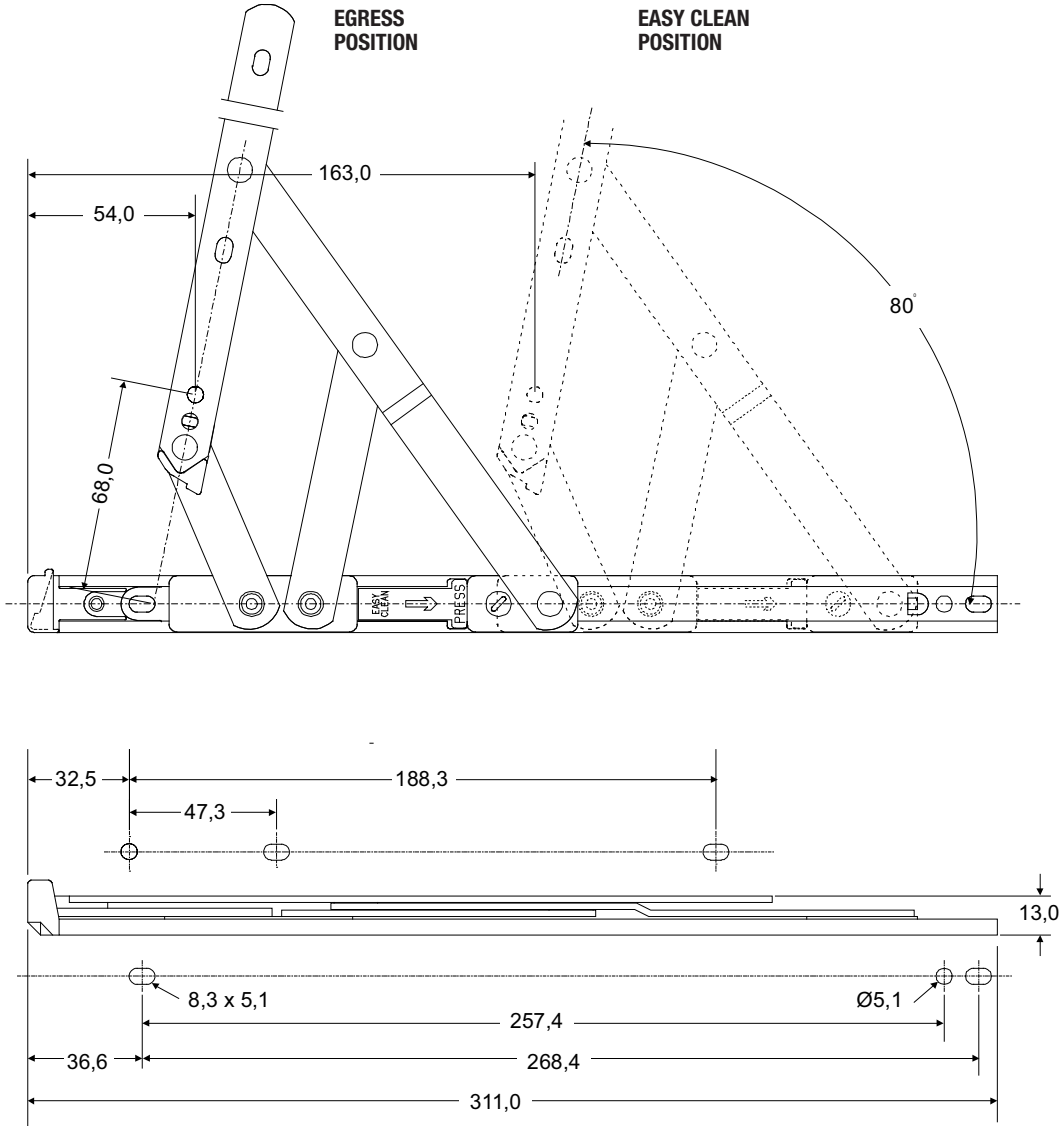


Smooth operation slider

Description	Hinge Length in/mm	Max. Vent Weight kg	Min. Vent Height mm	Max. Vent Height mm	Min. Vent Width mm	Max. Vent Width mm	Cavity Dimensions mm	Opening Angle ± 2,5°
Casement Hinges								
DEFENDER12	12/310	22,0	-	-	300,0	600,0	16,0 - 18,5	80°
DEFENDER16	16/412	24,0	-	-	400,0	700,0	16,0 - 18,5	90°

Dimensions of Defender egress friction hinge 12"

Dimensions in mm



Dimensions of Defender egress friction hinge 16"

