

Series 6-C2710 multipoint locking bars



Locking bars with 8,0 mm cams and wedge

Dim. (mm)	Dim. (in)	Locking Cam	Wedge	PU	Part Number
1000	40	2	1	50	6-C2710-10-0-0
1100	43	2	1	50	6-C2710-11-0-0
1200	47	2	1	50	6-C2710-12-0-0
1300	51	2	1	50	6-C2710-13-0-0
1400	55	2	1	50	6-C2710-14-0-0
1500	59	2	1	50	6-C2710-15-0-0
1600	63	2	1	50	6-C2710-16-0-0
1700	67	3	1	50	6-C2710-17-0-0
1800	71	3	1	10	6-C2710-18-0-0
1900	75	3	1	10	6-C2710-19-0-0
2000	79	3	1	10	6-C2710-20-0-0

Only available on special request

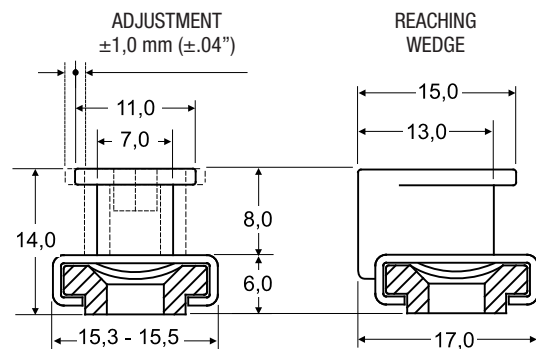
* = Color

PU = Packaging Unit

Additional information

- Made of Stainless Steel
- Reinforced nylon glides
- Reaching wedge reversible
- Reach range - 19 mm (3/4")
- Use with keepers (Refer to keeper section)
- Use with 6-C7010-35-0-* or 6-C6430-35-0-* locking handle
- Adjustable cams $\pm 1,0$ mm
- Handle can be installed on first or second cam

Dimensions in mm



Sizes Code	Locking cam positions			
	A	B (wedge)	C	D
1000	100	475	-	920
1100	100	525	-	1020
1200	100	575	-	1120
1300	100	625	-	1220
1400	100	675	-	1320
1500	100	725	-	1420
1600	100	775	-	1520
1700	100	560	1090	1620
1800	100	594	1157	1720
1900	100	626	1223	1820
2000	100	660	1290	1920
2000	100	660	1290	1920

