

## Sash lock keepers



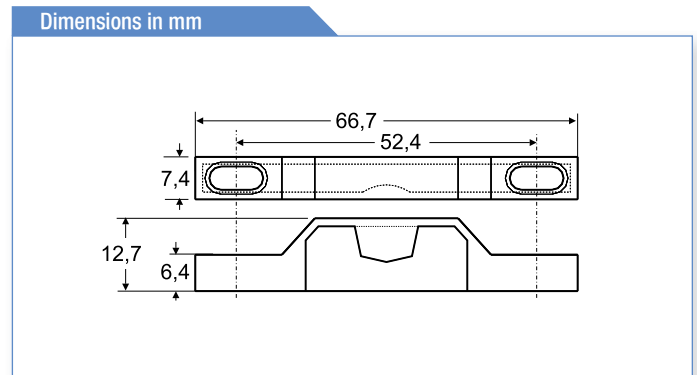
### Additional information

- Sturdy zinc die cast construction
- Used with locks:  
6-C1181-2C-0-7  
6-C1183-2C-0-7
- Use #6 screws

### Keeper for locks with alignment guides

Description	Color	PU	Part Number
Keeper 7,4 mm width	White	200	9-C1181-2C-0-7

\* = Color      PU = Packaging Unit



### Additional information

- Sturdy zinc die cast construction
- Used with locks:  
6-C1181-2C-0-7  
6-C1183-2C-0-7
- Use #6 screws

### Keeper for locks with alignment guides

Description	Color	PU	Part Number
Keeper 6,5 mm width	White	200	9-C1183-2C-0-7

\* = Color      PU = Packaging Unit

