

## Accessories



9-C1504-XX-0-8

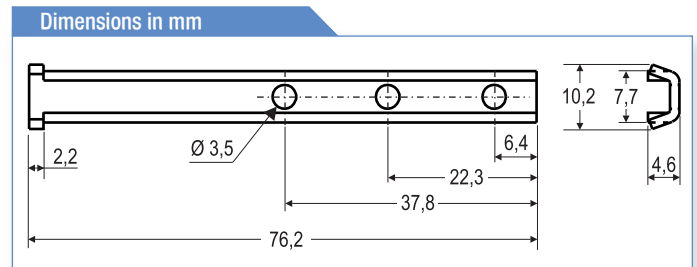
### Additional information

- Made of Stainless Steel
- Use with brake shoe
- Use #6 x 12 pan screws

### Stainless Steel pivot bar

Description	Color	PU	Part Number
Pivot bar	Stainless Steel	200	9-C1504-2C-0-8
		1000	9-C1504-1M-0-8

\* = Color      PU = Packaging Unit



9-C1506-XX-0-0

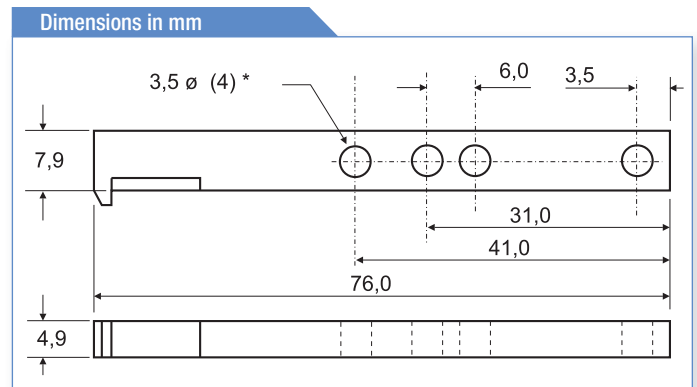
### Additional information

- "Zamak" metal casting
- Use with brake shoe
- Use #6 x 12 pan screws

### "Zamak" pivot bar

Description	Color	PU	Part Number
Pivot bar	Zamak	200	9-C1506-2C-0-0
		1000	9-C1506-1M-0-0

\* = Color      PU = Packaging Unit



9-C1508-XX-0-0

### Additional information

- Polyethylene foam
- Use to eliminate the accumulation of debris that can sit on the extended coil
- Dimensions:  
Width: 32,0 mm  
Depth: 16,0 mm  
Height: 12,7 mm

### Dust cover

Description	Color	PU	Part Number
Dust cover	White	200	9-C1508-2C-0-0
		1000	9-C1508-1M-0-0

\* = Color      PU = Packaging Unit