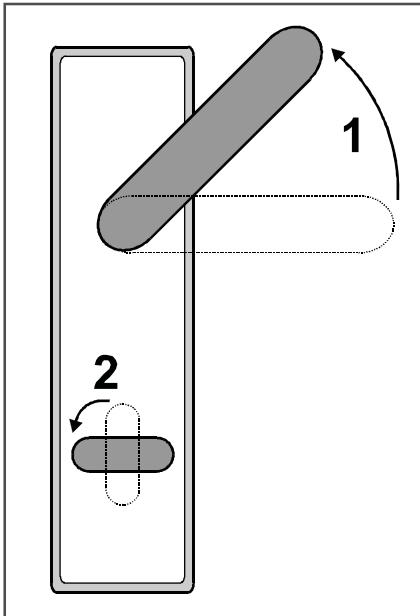
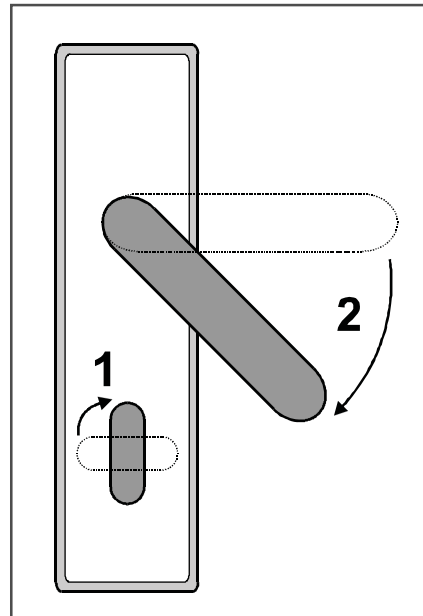


OPERATION OF THE NEW MULTIPOINT LOCKING SYSTEM WITH 90° LOCK/UNLOCK FEATURE



LOCKING

1. Lift the lever to engage the locking points.
2. Operate the cylinder with a single 90° turn to lock the locking points.



UNLOCKING

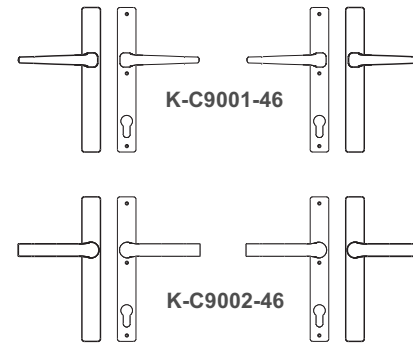
1. Release the locking points by operating the cylinder with a single 90° turn.
2. Press down the lever to withdraw the locking points.

FOR THESE HANDLE SETS:
Antique Brass (04) - Oil Rubbed Bronze (05) -
Pewter (08) - Dark Bronze (25)

Handle set finishes are handmade, thus slight variations of shading and finishes are to be expected. It is not possible for FERCO to guarantee specific uniformity of these shades and finishes.

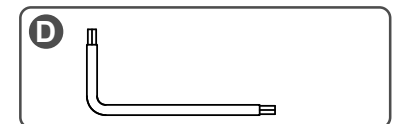
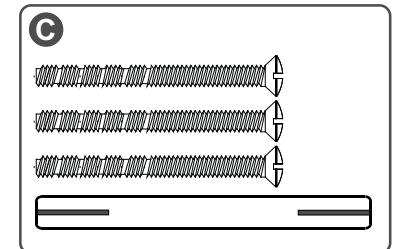
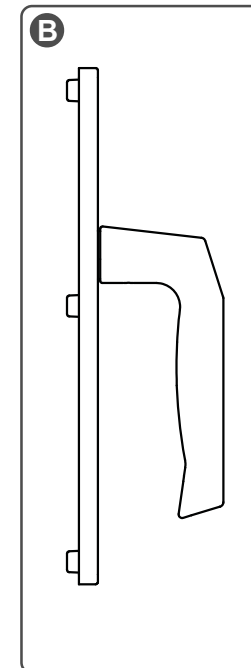
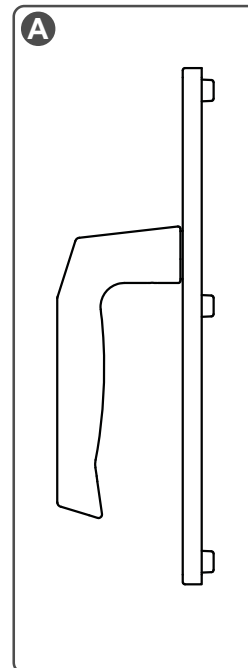
TRIM SETS ASSEMBLY INSTALLATION INSTRUCTIONS

LEFT HAND TRIM SET		RIGHT HAND TRIM SET	
EXTERIOR	INTERIOR	INTERIOR	EXTERIOR



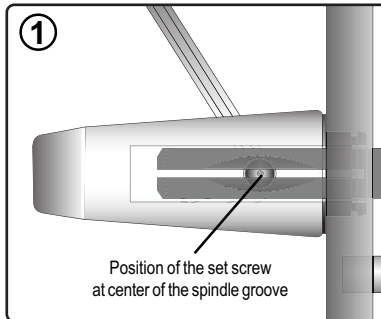
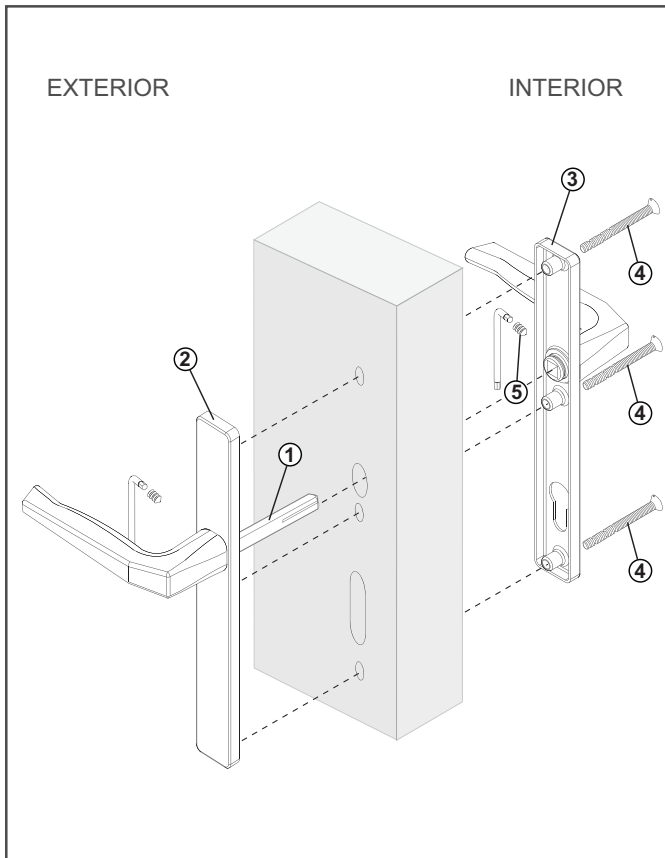
BOX CONTENTS:

- A 1 exterior set:
assembly blank with handle
- B 1 interior set:
assembly for half-European cylinder with handle and screw holes (cylinder not included)
- C 1 bag with 1 spindle 130 mm and 3 M5 x 90 mm recutable installation screws
- D 1 bag with 1 Allen key

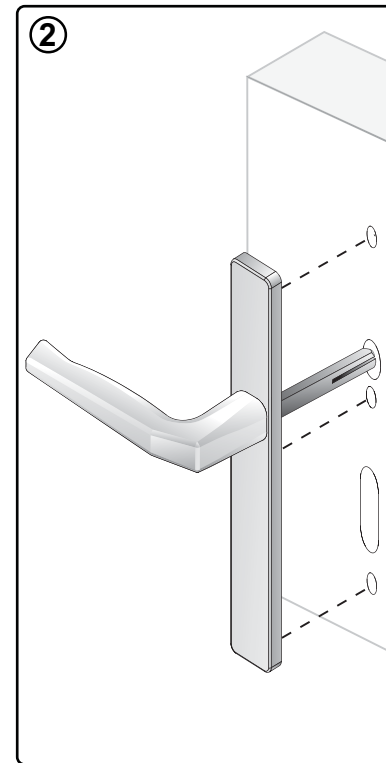


INSTALLATION LEFT OR RIGHT HAND TRIM SET FOR SEMI-ACTIVE DOOR AND HALF-EUROPEAN CYLINDER

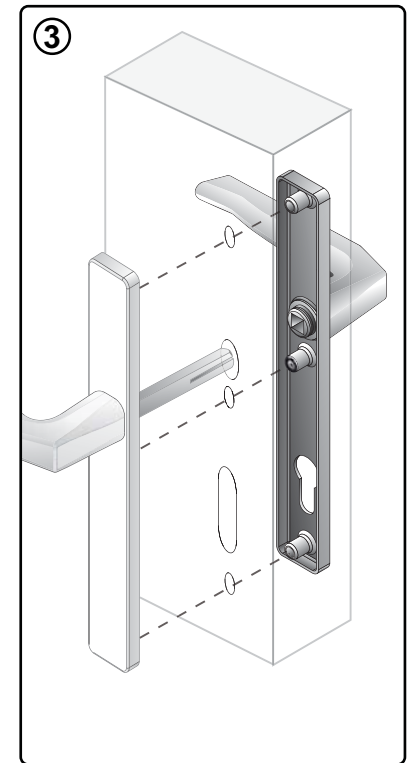
» LEFT HAND SHOWN



Insert the spindle into the square hole of the exterior handle and tighten the set screw on the spindle with the Allen key



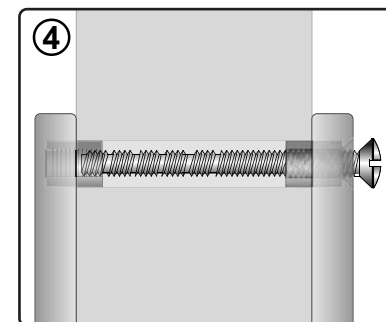
Position the exterior handle assembly into the holes and push the spindle through the door bolt



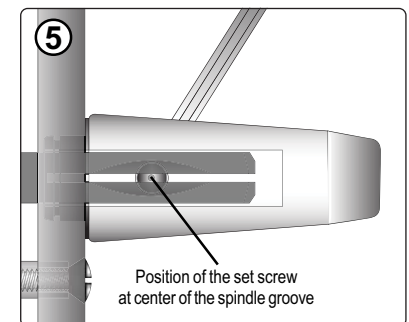
Set the interior handle assembly with the spindle

TROUBLESHOOTING

- **HANDLE IS HARD TO PRESS OR LIFT**
Although some tension is required to activate the mechanism, excessive force should not be required.
 - Loosen the installation screws $\frac{1}{4}$ turn at a time.
 - Re-adjust the handle by unscrewing the set screw on one of the handles.
- **PLATES ARE NOT TIGHT AGAINST THE DOOR**
 - Installation screws are probably too long, file them down in short steps.



Cut and fasten with 3 installation screws according to the door thickness



Tighten the set screw of the interior handle on the spindle with the Allen key