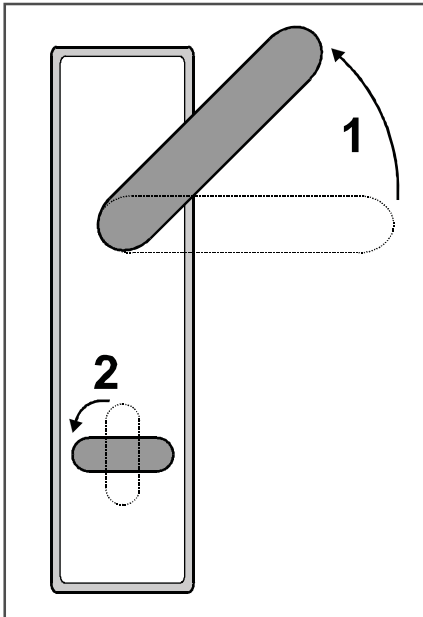
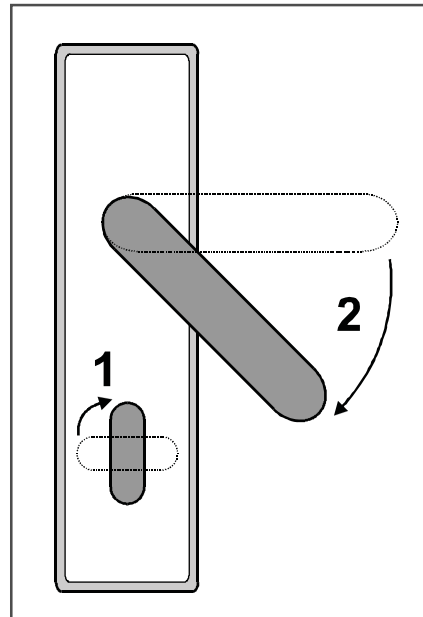


OPERATION OF THE NEW MULTIPOINT LOCKING SYSTEM WITH 90° LOCK/UNLOCK FEATURE



LOCKING

1. Lift the lever to engage the locking points.
2. Operate the cylinder with a single 90° turn to lock the locking points.



UNLOCKING

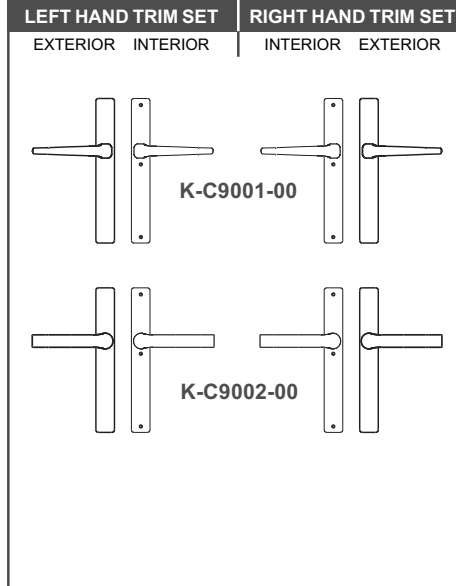
1. Release the locking points by operating the cylinder with a single 90° turn.
2. Press down the lever to withdraw the locking points.

FOR THESE HANDLE SETS:

**Antique Brass (04) - Oil Rubbed Bronze (05) -
Pewter (08) - Dark Bronze (25)**

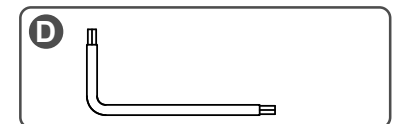
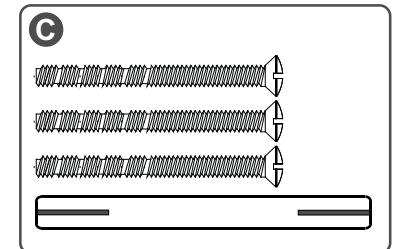
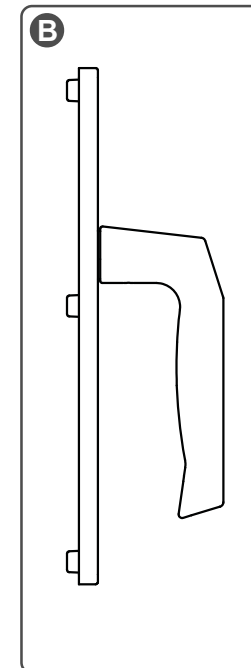
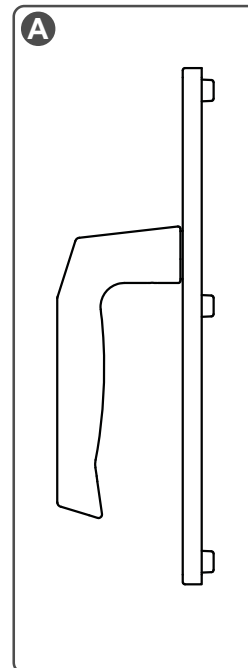
Handle set finishes are handmade, thus slight variations of shading and finishes are to be expected. It is not possible for FERCO to guarantee specific uniformity of these shades and finishes.

TRIM SETS ASSEMBLY INSTALLATION INSTRUCTIONS



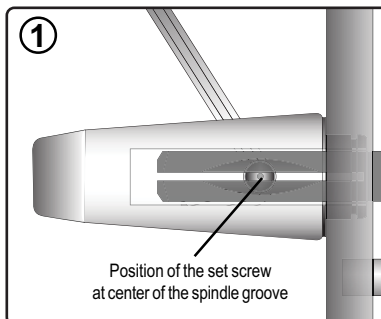
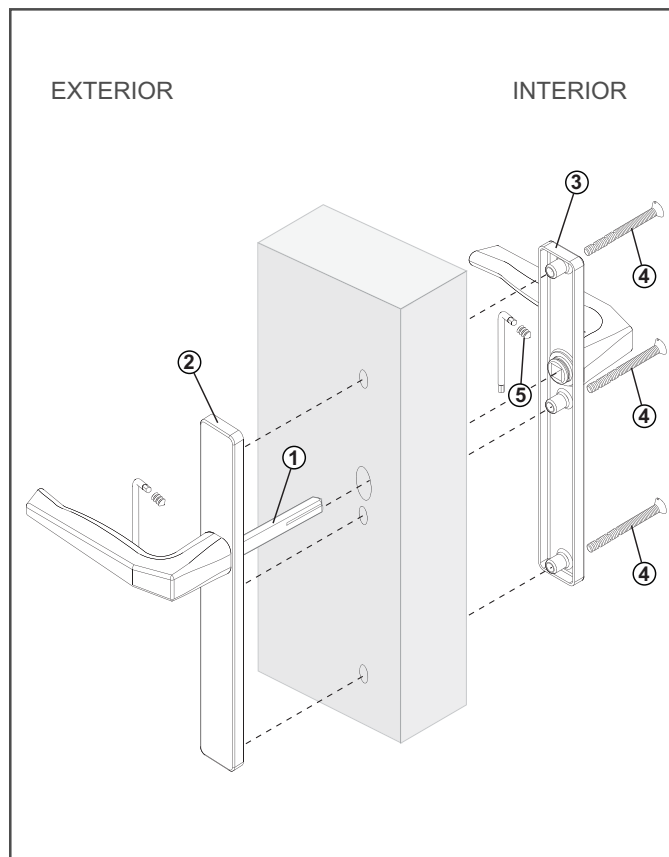
BOX CONTENTS:

- A 1 exterior set:
assembly blank with handle
- B 1 interior set:
assembly blank and screw holes
with handle
- C 1 bag with 1 spindle 130 mm
and 3 M5 x 90 mm recutable
installation screws
- D 1 bag with 1 Allen key

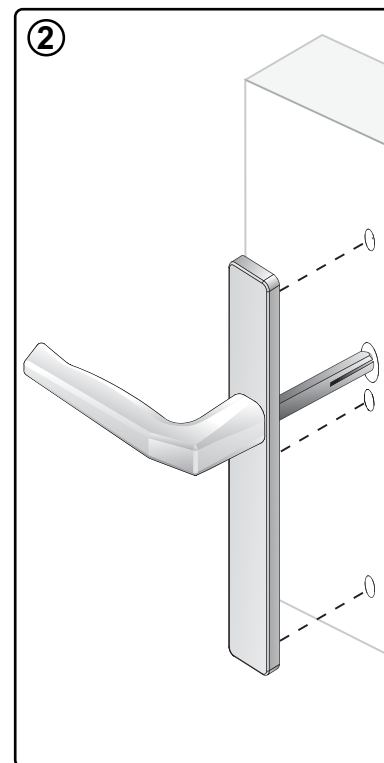


INSTALLATION LEFT OR RIGHT HAND TRIM SET FOR INACTIVE DOOR

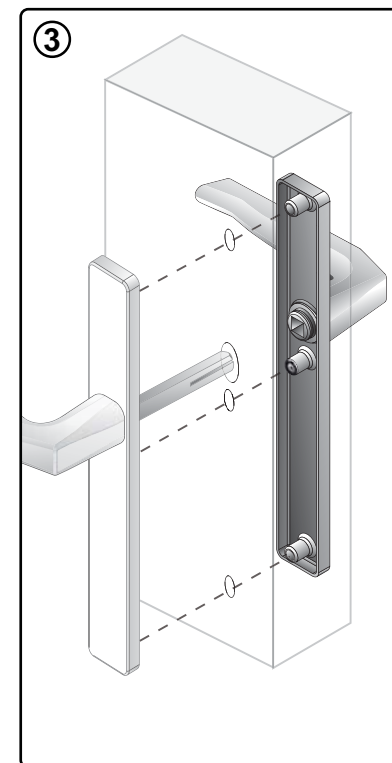
» LEFT HAND SHOWN



Insert the spindle into the square hole of the exterior handle and tighten the set screw on the spindle with the Allen key



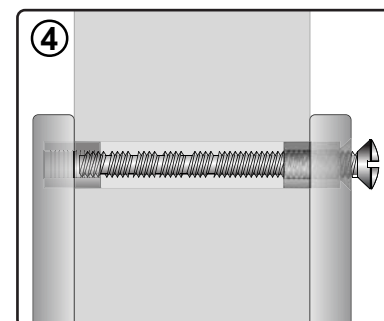
Position the exterior handle assembly into the holes and push the spindle through the door bolt



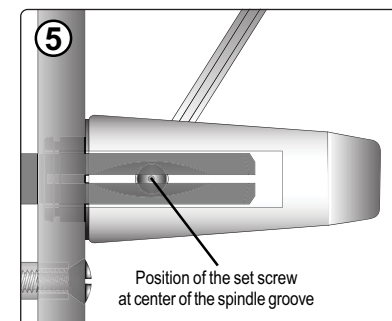
Set the interior handle assembly with the spindle

TROUBLESHOOTING

- PLATES ARE NOT TIGHT AGAINST THE DOOR
 - Installation screws are probably too long, file them down in short steps.



Cut and fasten with 3 installation screws according to the door thickness



Tighten the set screw of the interior handle on the spindle with the Allen key