



GROUP 07

CONTENTS

Sash Arrangement	07.3
Lift-Slide G.U-934 System	07.5
Lift-Slide G.U-937 System	07.6
Lift-locking Gear	07.7
Extension 500 mm	07.8
DIRIGENT Handle	07.9
Drilling Jig for Handle	07.11
Accessories	07.13
Gasket	07.15
Optional for G.U-934/937	07.16
Top Rail P739 and Track P432	07.17
Top Rail P903 and Track P432	07.18

PRODUCT INFORMATION**DESCRIPTION**

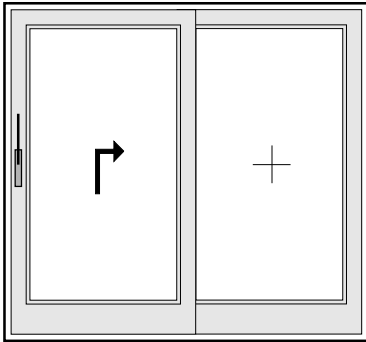
Fittings with one handle operation for patio doors and windows units with 2 to 6 sashes:

- Lift-slide gear with extended range of application
- Lift-slide runner with new bearings
- All lift-slide fittings with optional security components
- The fitting parts are made of high quality steel, zinc die-casting and aluminium alloys. According to the material they are protected against corrosion by the surface sealing ferGUard Silver, aluminium parts are anodised
- Aluminium thresholds G.U-thermostep and frame covers
- Each with threshold or frame covers and top guides, depending on sash clearance and sash thickness

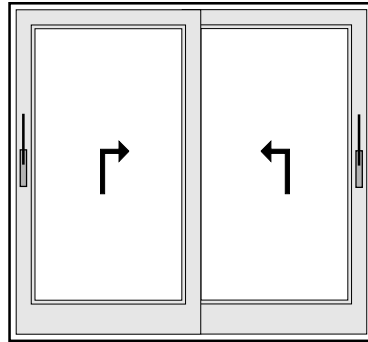
DESIGNS

- Fittings with 4-wheel carriages and clamp fixed connecting bar
- Wheels made of fabric reinforced laminated plastic with ball bearing
- For sash thicknesses from 56 mm to 92 mm and sash clearances of 28 and 10 mm
- Lift-locking gear with 37,5 and 27,5 mm backset and cylinder bore

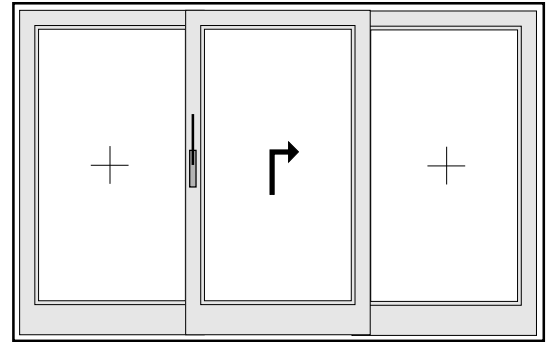
Lift-slide fittings – sash arrangement according to schemes A to L



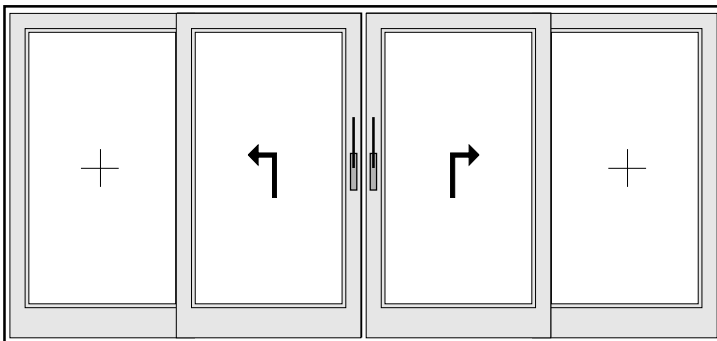
Scheme A
1 lift-slide door, 1 fixed glazing
Drawing shows left hand fittings



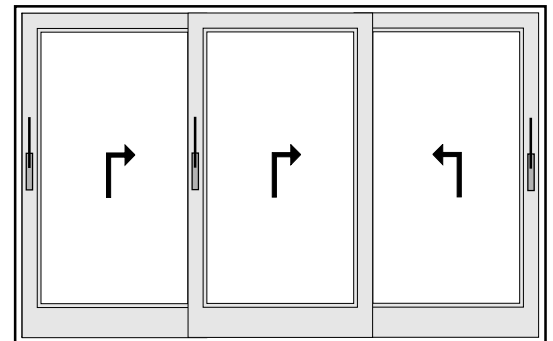
Scheme D
2 lift-slide doors
Drawing shows left hand and right hand fittings



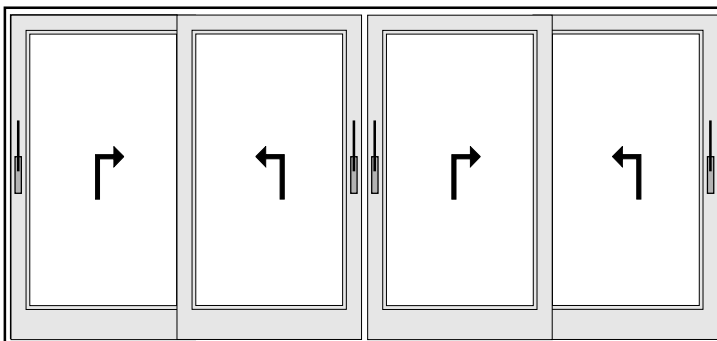
Scheme G
1 lift-slide door, 2 fixed glazings
Drawing shows left hand fittings



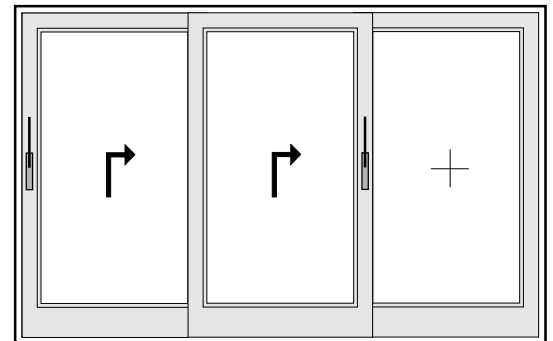
Scheme C
2 lift-slide doors, 2 fixed glazings
Drawing shows left hand and right hand fittings



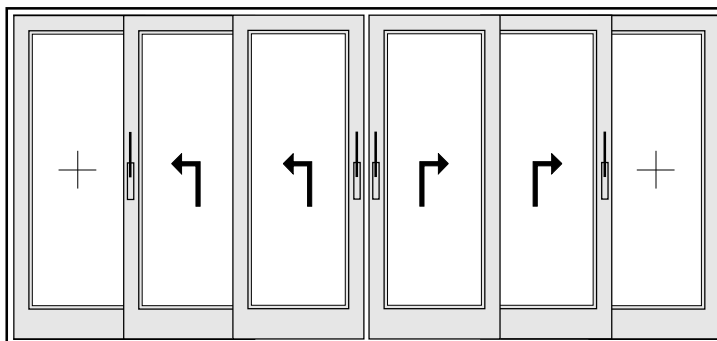
Scheme H
3 lift-slide doors
Drawing shows left hand and right hand fittings



Scheme F
4 lift-slide doors
Drawing shows left hand and right hand fittings



Scheme E
2 lift-slide doors, 1 fixed glazing
Drawing shows left hand fittings



Scheme L
4 lift-slide doors, 2 fixed glazings
Drawing shows left hand and right hand fittings

Lift-slide fittings – Maximum sash dimensions

Required specification for GU-934

Sash width	SW	700-3300
Sash height	SH	865-2765
Sash thickness	ST	min. 56

* Max. sash weight 300 kg

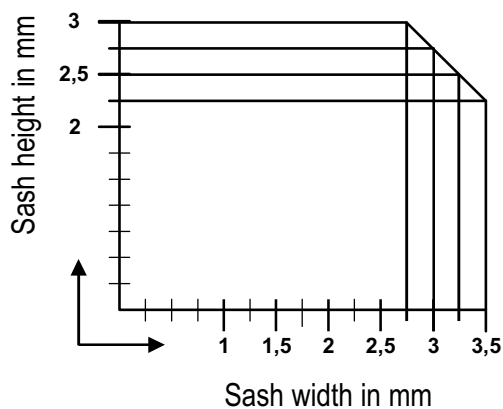
Required specification for GU-937

Sash width	SW	700-2200
Sash height	SH	850-2750
Sash thickness	ST	min. 56

* Max. sash weight 150 kg

• The sash height must not exceed 2,5 times the sash width.

Max. sash dimensions with 2 x 6 mm plate glass



With other types of glass the following formula applies to determine the sash weight: 1m² glass 1mm thick = 2,5 kg

Lift-Slide G.U-934 System – 300 kg



K-16488-00-0-1

Runner

Description	Color	Weight kg	PU	Part Number
Box of runners - G.U-934	FerGUard Silver		1	K-16488-00-0-1
Connecting rods - Ø 8 mm				
- 1100 mm	Zinc		1	9-25476-11-0-1
- 1350 mm	Zinc		1	9-25476-14-0-1
- 1850 mm	Zinc		1	9-25476-18-0-1
- 3300 mm	Zinc		1	9-25476-33-0-1

* = Color

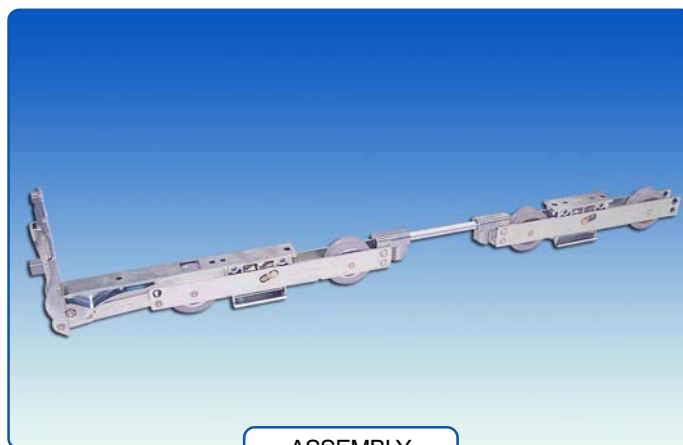
PU = Packaging Unit

ADDITIONAL INFORMATION

- The fitting parts are made of high quality steel and zinc die-casting with the surface sealing ferGUard Silver
- Wheels made of fabric reinforced laminated plastic with ball bearing



6-25476-XX-0-1



ASSEMBLY



K-16606-00-0-1

Accessories bag G.U-934

Description	Color	Weight kg	PU	Part Number
Accessories bag 934			1	K-16606-00-0-1

* = Color

PU = Packaging Unit

ADDITIONAL INFORMATION

- Used for G.U-934 system
- Inside bag:
 - 9-28149-00-0-0 – Bottom support for carriage rod (3)
 - 9-13274-75-0-3 – Handles screw M6 X 75 (2)
 - 9-13274-65-0-3 – Handles screw M6 X 65 (2)
 - 9-08488-00-0-0 – Rubber bumper 80 (2)
 - 9-26072-00-0-1 – Locking bolt 1 (2)
 - 9-24380-00-0-6 – Cover plate bottom (1)
 - 9-29700-00-0-6 – Sealing piece, bottom sill (1)
 - 9-26687-00-0-6 – Plastic for carriage (1)

Lift-Slide G.U-937 System – 150 kg



K-16493-00-0-1

Runner

Description	Color	Weight kg	PU	Part Number
Box of runners - G.U-937	FerGUard Silver		1	K-16493-00-0-1
Connecting rods - Ø 8 mm				
- 1100 mm	Zinc		1	9-25476-11-0-1
- 1350 mm	Zinc		1	9-25476-14-0-1
- 1850 mm	Zinc		1	9-25476-18-0-1
- 3300 mm	Zinc		1	9-25476-33-0-1

* = Color

PU = Packaging Unit

ADDITIONAL INFORMATION

- The fitting parts are made of high quality steel and zinc die-casting with the surface sealing ferGUard Silver
- Wheels made of fabric reinforced laminated plastic with ball bearing



6-25476-XX-0-1



ASSEMBLY



K-16608-00-0-1

Accessories bag G.U-937

Description	Color	Weight kg	PU	Part Number
Accessories bag 937			1	K-16608-00-0-1

* = Color

PU = Packaging Unit

ADDITIONAL INFORMATION

- Used for G.U-937 system
- Inside bag:
 - 9-28004-00-0-6 – Bottom support for carriage rod (3)
 - 9-13274-75-0-3 – Handles screw M6 X 75 (2)
 - 9-13274-65-0-3 – Handles screw M6 X 65 (2)
 - 9-08488-00-0-0 – Rubber bumper 80 (2)
 - 9-26072-00-0-1 – Locking bolt 1 (2)
 - 9-24380-00-0-6 – Cover plate bottom (1)
 - 9-29700-00-0-6 – Sealing piece, bottom sill (1)
 - 9-26687-00-0-6 – Plastic for carriage (1)

Handles for G.U-934/937



K-13265-00-0-*

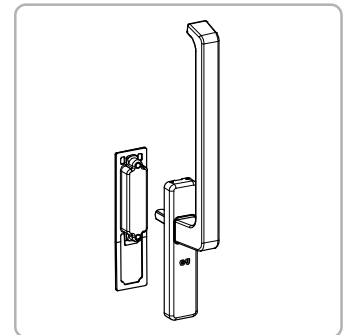
DIRIGENT interior handle

Description	Color	Weight kg	PU	Part Number
Interior handle set without cylinder	Silver		1	K-13265-00-0-1
	Dark Brown		1	K-13265-00-0-5

* = Color PU = Packaging Unit

ADDITIONAL INFORMATION

- The DIRIGENT handles are made of aluminium with concealed fixings
- Rosettes with robust retaining feature
- Sash thickness up to 68 mm



K-13267-00-0-*

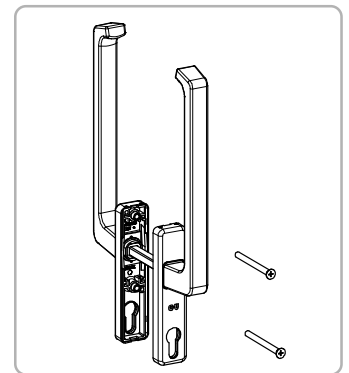
DIRIGENT interior/exterior handle

Description	Color	Weight kg	PU	Part Number
Handle set with cylinder	Silver		1	K-13267-00-0-1
	Dark Brown		1	K-13267-00-0-5

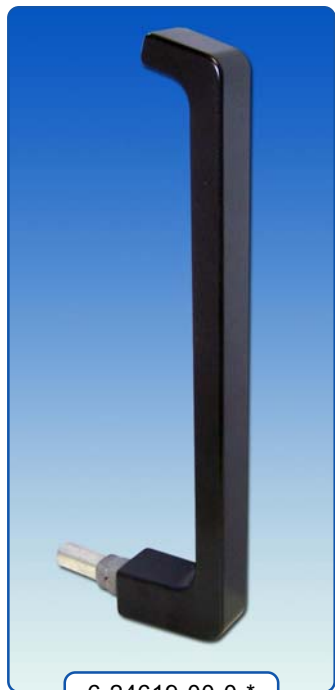
* = Color PU = Packaging Unit

ADDITIONAL INFORMATION

- The DIRIGENT handles are made of aluminium with concealed fixings
- Rosettes with robust retaining feature
- Sash thickness up to 90 mm
- 1 spindle and 2 recutable screws included
- 2 plastic covers for set screws hole included



Accessories for G.U-934/937



6-24619-00-0-*



6-C7920-00-0-5

DIRIGENT removable handle

Description	Color	Weight kg	PU	Part Number
Removable handle	Silver		1	6-24619-00-0-1
	Dark Brown		1	6-24619-00-0-5

Flush handle

Flush 120 x 40 x 13 mm with 2 screws	Dark Brown		1	6-C7920-00-0-5
--------------------------------------	------------	--	---	----------------

* = Color

PU = Packaging Unit



9-U0001-01-0-0

Contractor handle

Description	Color	Weight kg	PU	Part Number
Handle with 7, 8 and 10 mm spindle	Black		1	9-U0001-01-0-0

* = Color

PU = Packaging Unit



B 8806 0105

Profile cylinder for 56 mm thick door

Description	Color	Weight kg	PU	Part Number
Profile cylinder 45/45mm	Silver		1	B 8806 0105

* = ColorPU = Packaging Unit

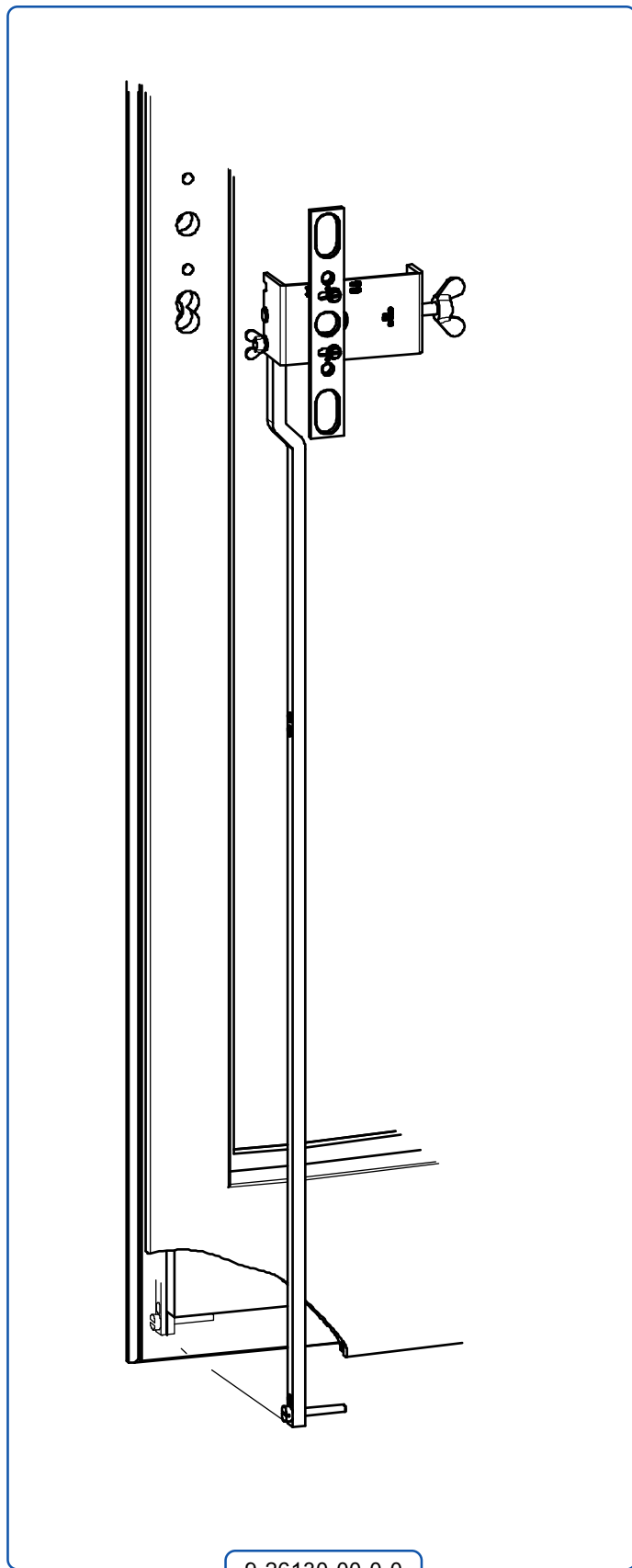
Accessories for G.U-934/937

Drilling jig - Lift-slide handle Dirigent 2/3

Description	Color	Weight kg	PU	Part Number
Drilling jig for Dirigent handle			1	9-26130-00-0-0

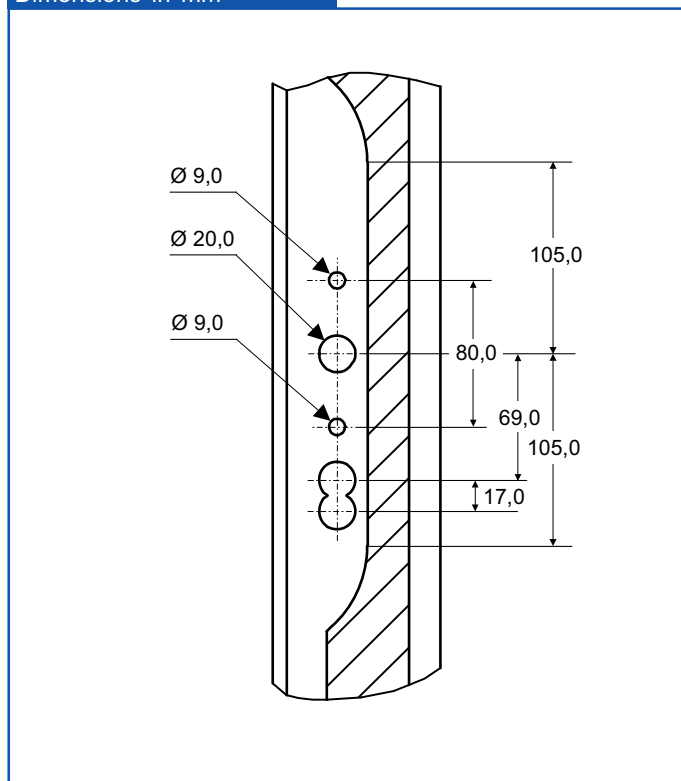
* = Color

PU = Packaging Unit



9-26130-00-0-0

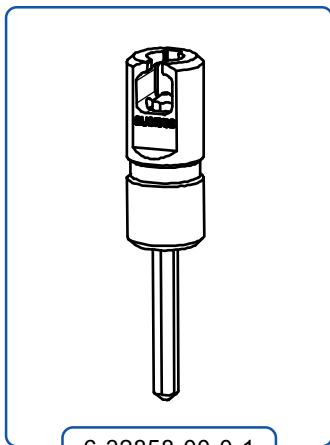
» Dimensions in mm



Accessories for G.U-934/937



9-25082-00-0-1



6-32858-00-0-1

Center punch

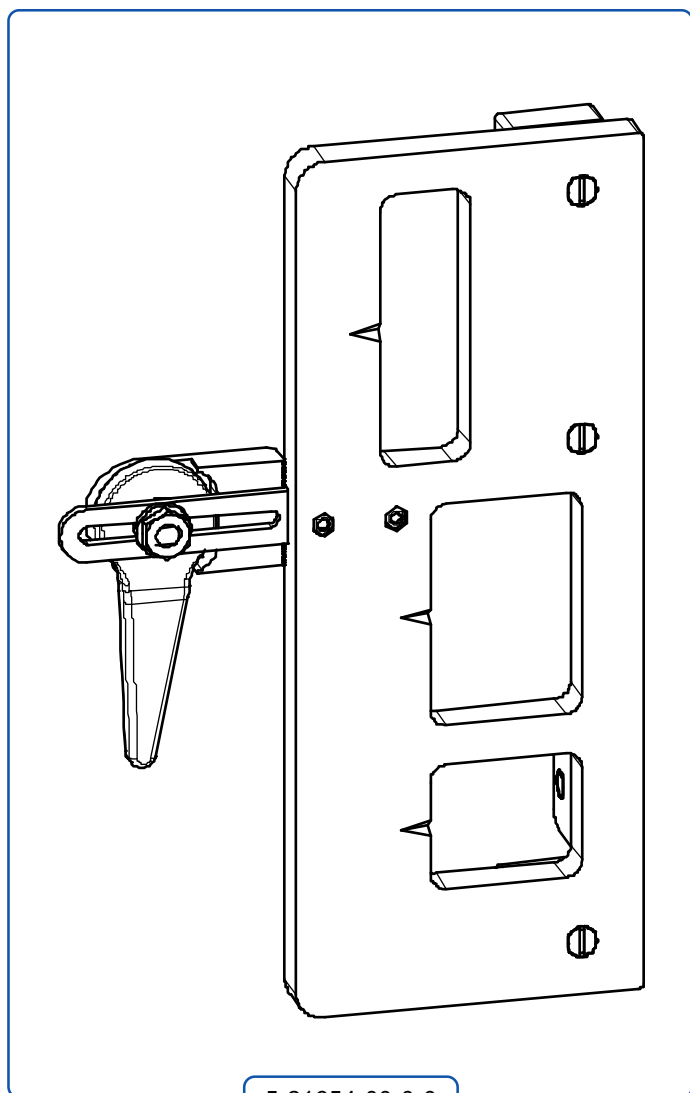
Description	Color	Weight kg	PU	Part Number
Center punch for locking bolt	Zinc		1	9-25082-00-0-1

Screw bit

Screw bit for fastening of locking bolt	Zinc		1	6-32858-00-0-1
---	------	--	---	----------------

* = Color

PU = Packaging Unit



5-21654-00-0-0

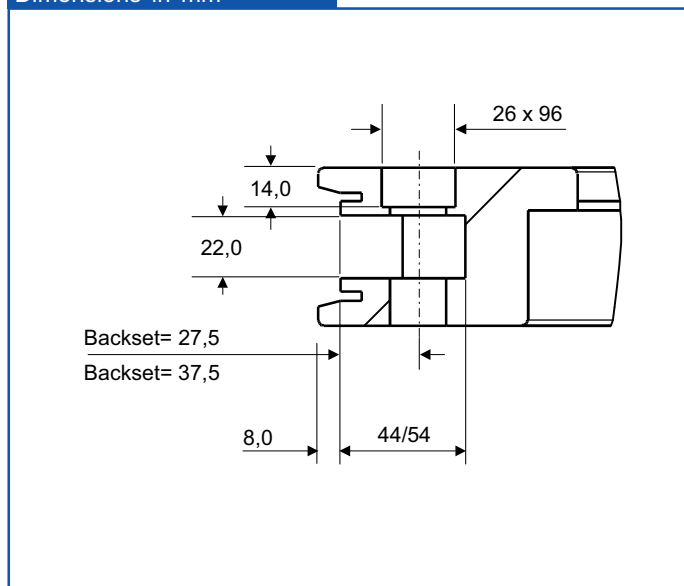
Drilling jig - Flush pull & middle lock

Description	Color	Weight kg	PU	Part Number
Drilling jig for flush pull and middle lock			1	5-21654-00-0-0

* = Color

PU = Packaging Unit

» Dimensions in mm



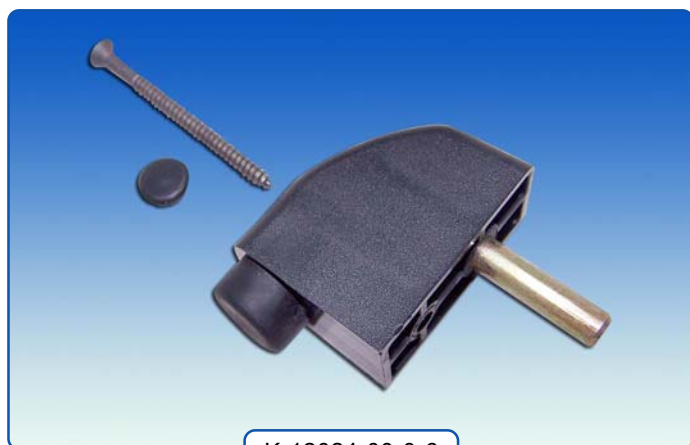
Accessories for G.U-934/937



K-10563-00-0-1

Accessories bag for scheme C

Description	Color	Weight kg	PU	Part Number
Accessories	Zinc		1	K-10563-00-0-1
* = Color			PU = Packaging Unit	



K-12024-00-0-6

Sash stop 90

Description	Color	Weight kg	PU	Part Number
Bag of stop	Black		1	K-12024-00-0-6
* = Color			PU = Packaging Unit	



9-29228-00-0-1

Locking bolt for split ventilation 1S

Description	Color	Weight kg	PU	Part Number
Locking bolt / Split ventilation	Zinc		1	9-29228-00-0-1
* = Color			PU = Packaging Unit	

Accessories for G.U-934/937



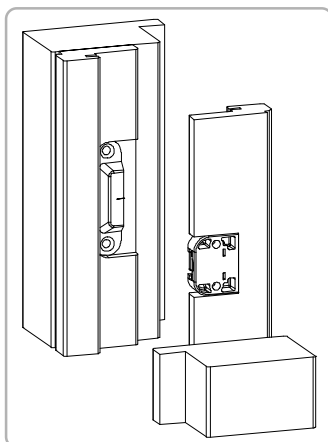
K-11866-00-0-1

Horizontal middle lock - Sash 1700 mm +

Description	Color	Weight kg	PU	Part Number
Middle lock	Zinc		1	K-11866-00-0-1
			* = Color	PU = Packaging Unit



K-11864-00-0-1

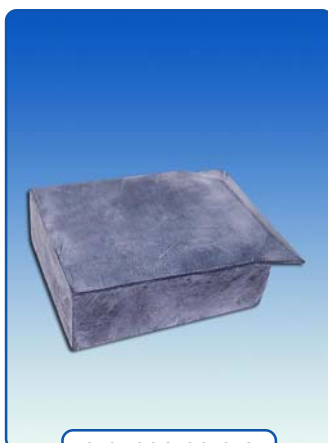


Bag of vertical middle lock

Description	Color	Weight kg	PU	Part Number
Accessories	Zinc		1	K-11864-00-0-1
			* = Color	PU = Packaging Unit



9-39113-00-R-1



9-35996-00-0-6

Nut for locking bolt

Description	Color	Weight kg	PU	Part Number
Accessorie	Zinc		1	9-39113-00-R-1

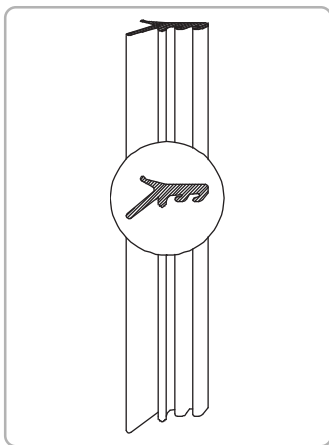
Sealing plate for bottom inter-lock

Description	Color	Weight kg	PU	Part Number
Rubber sealing plate	Black		1	9-35996-00-0-6
			* = Color	PU = Packaging Unit

Accessories for G.U-934/937



9-24572-98-0-0

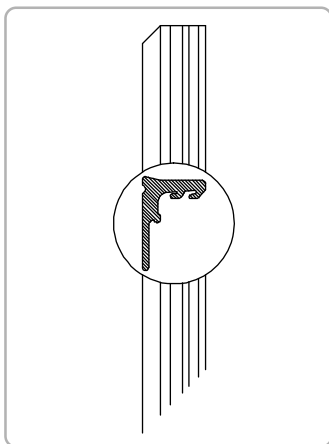


Gasket P743

Description	Color	Weight kg	PU	Part Number
Sash gasket	Black		100M	9-24572-98-0-0
		* = Color	PU = Packaging Unit	



9-29267-98-0-0

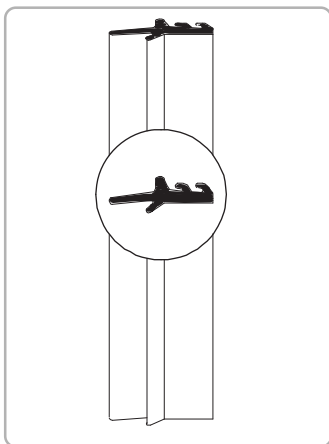


Gasket P1156

Description	Color	Weight kg	PU	Part Number
Top sealing gasket	Black		100M	9-29267-98-0-0
		* = Color	PU = Packaging Unit	



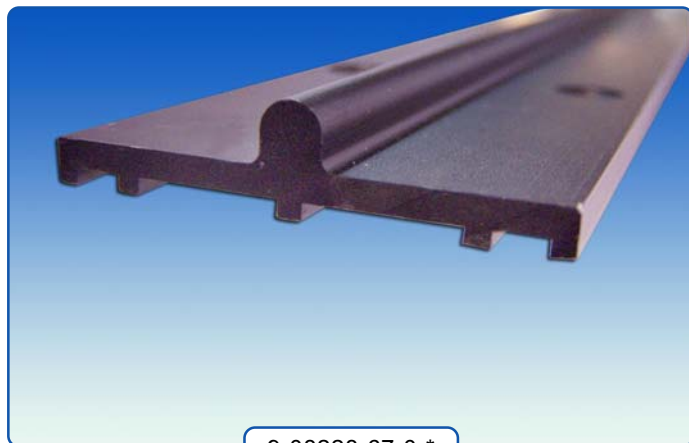
9-27283-98-0-6



Gasket P1483

Description	Color	Weight kg	PU	Part Number
Optional inter-lock gasket	Black		100M	9-27283-98-0-0
		* = Color	PU = Packaging Unit	

Optional for G.U-934/937



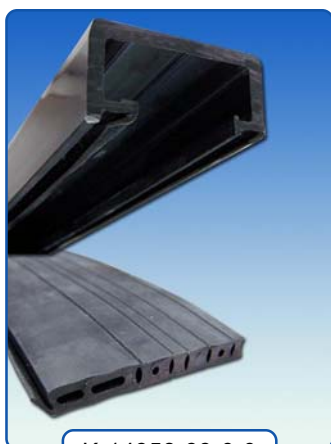
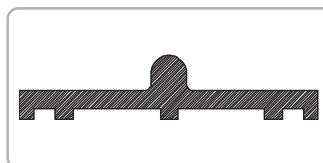
9-08228-67-0*

Track for low sill and screen

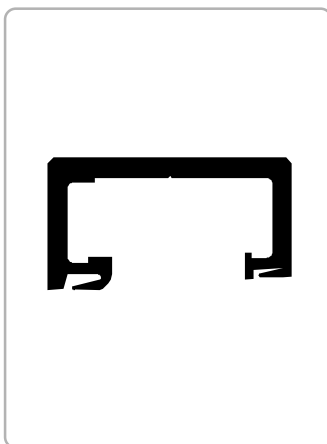
Description	Color	Weight kg	PU	Part Number
Gliding track	Silver		1	9-08228-67-0-1
	Dark Brown		1	9-08228-67-0-5

* = Color

PU = Packaging Unit



K-14358-33-0-0



P1070 support track

Description	Color	Weight kg	PU	Part Number
Bag of rail for fixed sash	Black		1	K-14358-33-0-0

* = Color

PU = Packaging Unit



9-27556-00-0-0

End cap for P1070

Description	Color	Weight kg	PU	Part Number
End cap	Black		1	9-27556-00-0-0

* = Color

PU = Packaging Unit

Top Rail P739 and Track P432 G.U-934/937



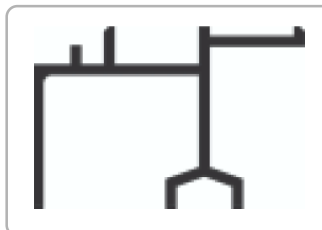
9-25839-67-0-*

Gliding track (header) P739

Description	Color	Weight kg	PU	Part Number
Gliding track	Silver		1	9-25839-67-0-1
	Dark Brown		1	9-25839-67-0-5

* = Color

PU = Packaging Unit



K-11051-0-0-0

Accessories bag for P739

Description	Color	Weight kg	PU	Part Number
Accessories			1	K-11051-00-0-0

* = Color

PU = Packaging Unit



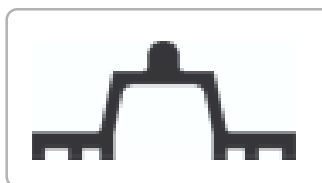
9-09547-67-0-*

Gliding track (sill) P432

Description	Color	Weight kg	PU	Part Number
Gliding track	Silver		1	9-09547-67-0-1
	Dark Brown		1	9-09547-67-0-5

* = Color

PU = Packaging Unit



Top Rail P903 and Track P432 G.U-934/937



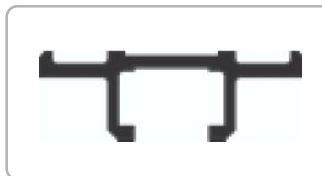
9-27190-67-0*

Gliding track (header) P903

Description	Color	Weight kg	PU	Part Number
Gliding track	Silver		1	9-27190-67-0-1
	Dark Brown		1	9-27190-67-0-5

* = Color

PU = Packaging Unit



K-11882-00-0-6

Accessories bag P903

Description	Color	Weight kg	PU	Part Number
Accessories	Black		1	K-11882-00-0-6

Connecting part for P903

Accessorie	Black		1	9-29765-00-0-0
------------	-------	--	---	----------------

* = Color

PU = Packaging Unit



9-29765-00-0-0



9-09547-67-0*

Gliding track (sill) P432

Description	Color	Weight kg	PU	Part Number
Gliding track	Silver		1	9-09547-67-0-1
	Dark Brown		1	9-09547-67-0-5

* = Color

PU = Packaging Unit

